

- Speedgate DMS128 with rotating wings is suitable for one-way or two-way control of the movement of people with a requirement for a wide passage of up to 1500 mm and high level of security.



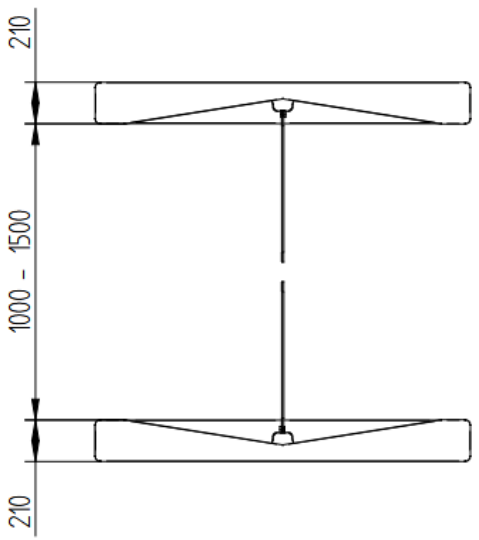
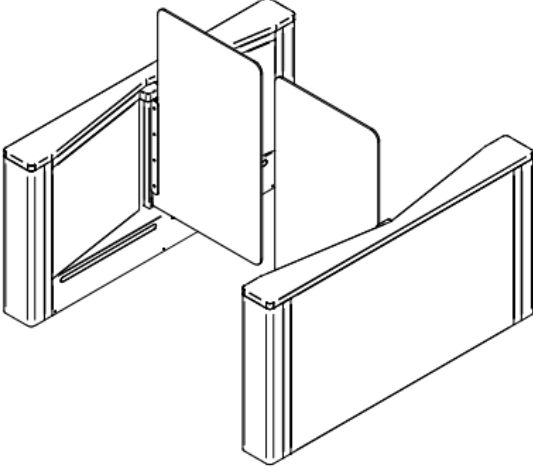
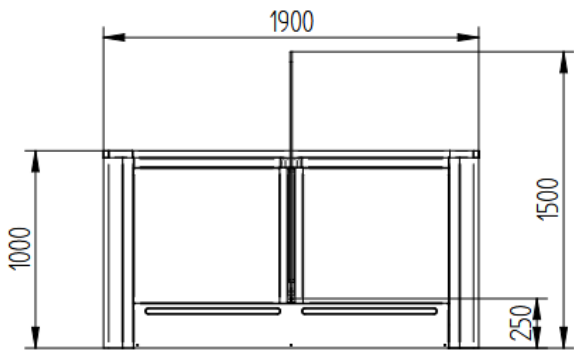
Description:

- Very robust self-supporting cabinet made of stainless steel sheet 1.5 mm thick. and rotating wings made of transparent plexiglass, or tempered glass.
- Min. 10 pairs of optical sensors for presence detection and ensuring safety during passage.
- Detomatic S3 drive unit with BLDC motor, gearbox and brake.
- Lockable front cover allows easy access to the control unit.
- Adjustable direction of passage.
- Possibility of integrating readers into the turnstile cabinet.
- Also suitable for people with limited mobility.
- Automatic opening in the event of an alarm or power failure.

Technical specification:

Model:	DMS 128 XL
Dimensions:	1900 x 210 x 1000 mm
Cabinet material:	stainless (painted) steel
Rotary wings:	10 mm glass
Opening/closing speed:	1 – 2 sec.
Installation:	indoor / outdoor
Width of passage	1000 mm - 1500 mm
Wing height:	1500 mm
Power supply:	230 V AC, 50Hz, 40 W
Capacity of passage::	30 – 40 persons/min.
Drive unit:	Detomatic S2
Operating voltage:	24 VDC

Dimensions: (mm)



*With a constant view of adopting the latest technological development
Detomatic reserves the right to amend the information above, at any time.*